

Sensor Data Sheet

BlueTrace Oil in Water Sensor

Submersible Oil in Water Sensor (Modbus)

DOC 461 6200-E-1.0-DS

Article-No. 461 6200



Properties

- Selectable measuring range
- Robust and Non-corrosive
- Connection via Modbus interface
- Compact design
- Easy calibration
- Low power demand
- High pressure resistance

Applications

- Drinking water
- Wastewater
- Process measurement
- Control technology
- Environmental monitoring

Measurement	Oil in Water / BTEX / PAH
Measuring principle	Fluorescence measurement Evaluation (300 - 400 nm)
Measuring range	0 - 30 ppm 0 - 100 ppm 0 - 300 ppm
Measuring accuracy typical	3 % FS
Measuring interval	≥ 1 s

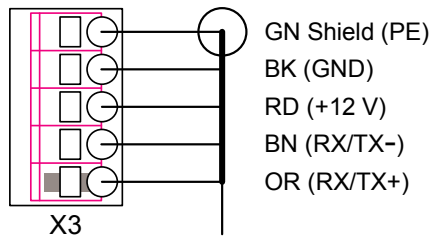
Technical Data	
Voltage supply	10 - 32 VDC
Power consumption	0.5 W typical
Body material	High-grade steel 1.4404; optional Titanium
Body length	146.1 mm
Body diameter	36 mm
Weight	0.6 kg
Ambient pressure	max. 6 bar
Ambient temperature	-5 to +55 °C
Interface	Modbus [RTU]

Sensor Data Sheet

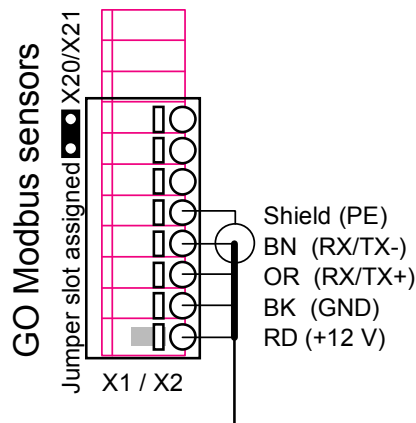
Pin assignment

BlueTrace Oil in Water – Article-No. 461 6200

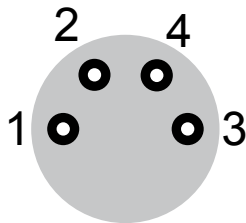
Pin assignment at the board of the BlueConnect Module, slot X3



Pin assignment at BlueSense Transducer, slot X1/X2



Pin assignment at the serial interface of the BlueBox T4



RS-485

panel plug (M8, male)

1	GND
2	12 VDC
3	RX/TX-
4	RX/TX+



Cable socket, shielded body



Cable colours see below

i Here there is the BlueBox version with a 4-pin M8 panel plug and a 12 VDC power supply. For versions with 3-pin M8 panel plug without 12 VDC power supply, an adapter or similar must be used.

Pin assignment at the mainboard of the BlueBox R1, slot X08

