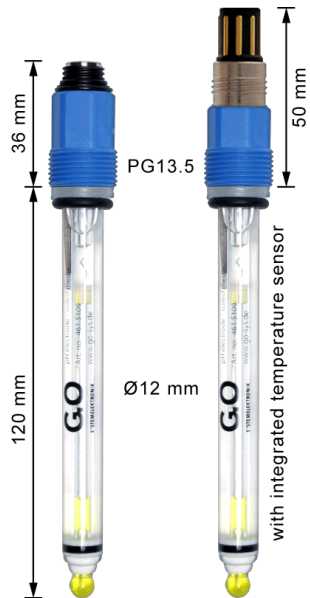


## Sensor Data Sheet

**pH Electrode** single-rod measuring cell with PTFE diaphragm for waste water DOC 461 5109-X-E-1.4-DS  
(optional with integrated temperature sensor)

**Article-No. 461 5109-X**



### Properties

- Low maintenance due to gel filling
- Long service life
- Good price/performance ratio
- High accuracy through the use of high alkali high temperature glass
- Dirt-repellent and corrosion resistant PTFE diaphragm

### Applications

- Waste water
- Water with high solids content/suspended matter

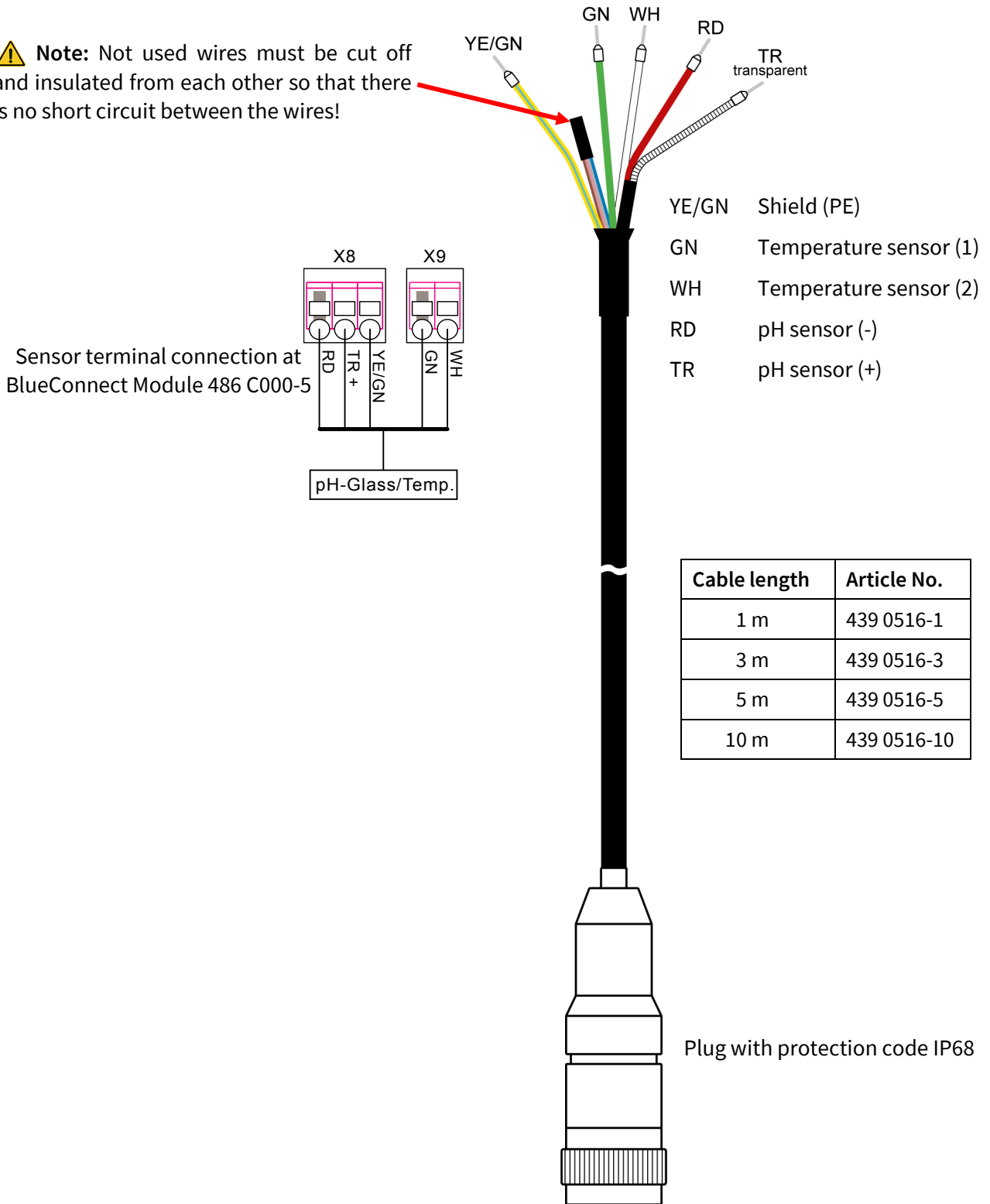
Measurement parameter	pH	Temp. (optional)
Measuring principle	Glass electrode	Pt 1000
Measuring range	pH 0 – pH 14	-5 °C to 80 °C
Measuring resolution	0.01	
Measuring interval	≥ 1 s	≥ 1 s
Ambient pressure	max. 10 bar at 20 °C	
Probe conductivity	> 150 µS/cm	
Temperature range	-5 °C to 70 °C	

Electrode Body	pH	Temp. (optional)
Diaphragm	PTFE	
Shaft material	Glass	
Shaft length	120 mm	
Shaft diameter	12 mm	
Electrode Material	AH glass ball	
Reference system	Ag / AgCl / Tepox Gel	
Cable connector	S7 plug 2 poles	Variopin see Page 2
Mounting thread	PG13.5	

# Sensor Data Sheet

Variopin connection cable with plug for a pH single-rod measuring cell with integrated temperature sensor  
 Article-No. 439 0516-XX

**⚠ Note:** Not used wires must be cut off and insulated from each other so that there is no short circuit between the wires!



Cable length	Article No.
1 m	439 0516-1
3 m	439 0516-3
5 m	439 0516-5
10 m	439 0516-10